

# **baby& child**

## RESTORATION HARDWARE

**All Restoration Hardware cribs are designed to meet the highest safety standards and comply with all U.S. and Canadian cribs and cradles regulations.**

# baby&child

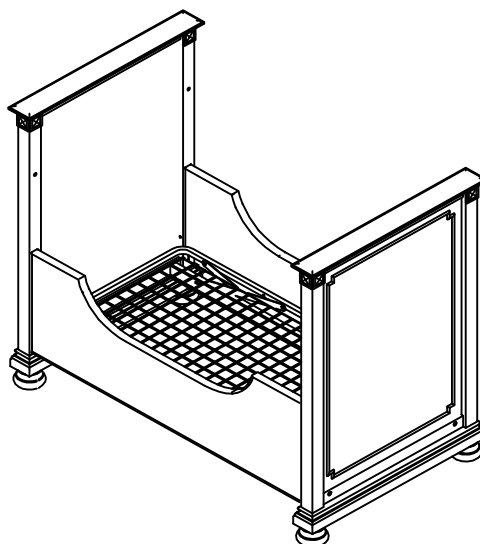
## RESTORATION HARDWARE

Restoration Hardware Baby & Child  
11640 Harrel St, Suite B  
Mira Loma, CA 91752  
rhhbabyandchild.com  
Made in Vietnam

Model No: #331-02  
"Jameson Panel Crib Toddler Rail"

Distributed in the U.S.A by:  
Restoration Hardware Baby & Child  
11640 Harrel St, Suite B  
Mira Loma, CA 91752  
rhhbabyandchild.com

Distributed in Canada by:  
Restoration Hardware Canada Inc.  
1500-1055 West Georgia Street,  
Vancouver, British Columbia V6E4N7



**⚠ WARNING:** Read all Instructions before assembling this product. **KEEP INSTRUCTIONS FOR FUTURE USE.**

### CUSTOMER SERVICE

If you are missing parts or have any questions about this product, contact us first. You can also order parts by writing to the address above. Include the product model number, color, and a brief description of the part. Call 1-800-762-1751.

### CARE AND CLEANING

**DO NOT** scratch or chip the finish. **DO NOT** use abrasive chemicals for cleaning. Clean with mild soap on soft rag. Rinse and dry thoroughly. If the crib is to be stored, store in a cool dry place and carefully package all original hardware to protect from loss.

### TOOLS AND INSTALLATION

Tools Necessary: Allen Key (included).

Note: It may be easier to assemble product with two people.

**NOTE:** When inserting bolts, turn clockwise until tight. Then loosen 1/2-3/4 of a turn. After crib is completely assembled, return to each bolt and tighten. Use wax or soap on all bolts to facilitate assembly.

### HARDWARE LIST:

(DD) Allen Wrench (1 piece)



(LL) 19 mm. Bolts (x 4 pieces)



Please note: Toddler conversion kit assembly hardware is included in the toddler kit box.

**▲ WARNING:  
ENTRAPMENT / STRANGULATION  
HAZARD**

**Infants have died in toddler beds from entrapment and strangulation.**

**Failure to follow these warnings and the assembly instructions could result in serious injury or death.**

**NEVER use bed with children under 15 months.**

**NEVER place bed near windows where cords from blinds or drapes may strangle a child.**

- The mattress intended for use on the bed shall be a full-size crib mattress having minimum dimensions of 51-5/8 inches (1310 mm) in length, 27<sup>1</sup>/<sub>4</sub> inches (690 mm) in width and 4 inches (100 mm) in thickness, not exceeding 6 inches (152 mm) in thickness.
- If guardrails are used as the mattress containment means, guardrail(s) provided must be used to avoid the formation of a gap between the mattress and the bed that could cause an entrapment.
- **DO NOT** place bed near windows where cords from blinds or drapes may strangle a child.
- **DO NOT** place items with a string, cord, or ribbon around a child's neck, such as hood strings or pacifier cords.
- **DO NOT** suspend strings over a toddler bed for any pacifier cords.
- A child using the toddler or day bed shall be at least 15 months of age and shall not weigh more than 50 lbs (22.7 kg).

# JAMESON PANEL TODDLER BED CONVERSION KIT



**WARNING:** ADULT ASSEMBLY ONLY OWING TO THE PRESENCE OF SMALL PARTS, SHARP POINTS AND EDGES

## CAUTION

TODDLER BED : THE MINIMUM AGE SHALL NOT BE LESS THAN 15 MONTHS AND THE MAXIMUM WEIGHT SHALL NOT BE GREATER THAN 50 LBS. (22.7 KG).

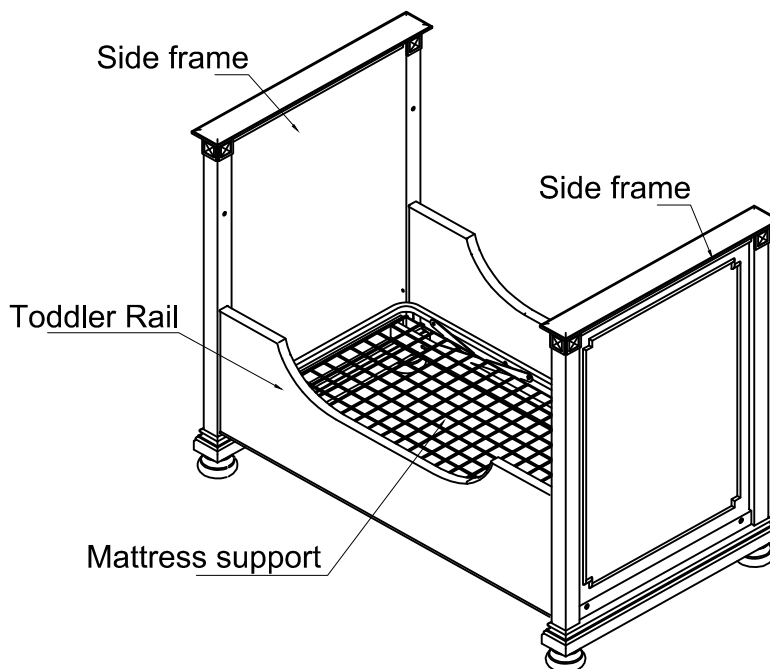
THE MATTRESS INTENDED FOR USE ON THE BED SHALL BE A FULL-SIZE CRIB MATTRESS HAVING MINIMUM DIMENSIONS OF 51-5/8 IN. (1310 MM) IN LENGTH, 27-1/4 IN. (690 MM) IN WIDTH AND 4 IN. (100 MM) IN THICKNESS, NOT EXCEEDING 6 IN (152 MM) IN THICKNESS.

### CARE INSTRUCTIONS:

- Dust often using a clean, soft, dry, lint-free cloth.
- Blot spills immediately, and wipe with a clean, damp cloth.
- We do not recommend the use of chemical cleansers, abrasives, or furniture polish on our lacquered finish.

### Customer Service

- If you are missing parts or have any questions about this product, please contact us at : 1-800-762-1751



# STEP #1

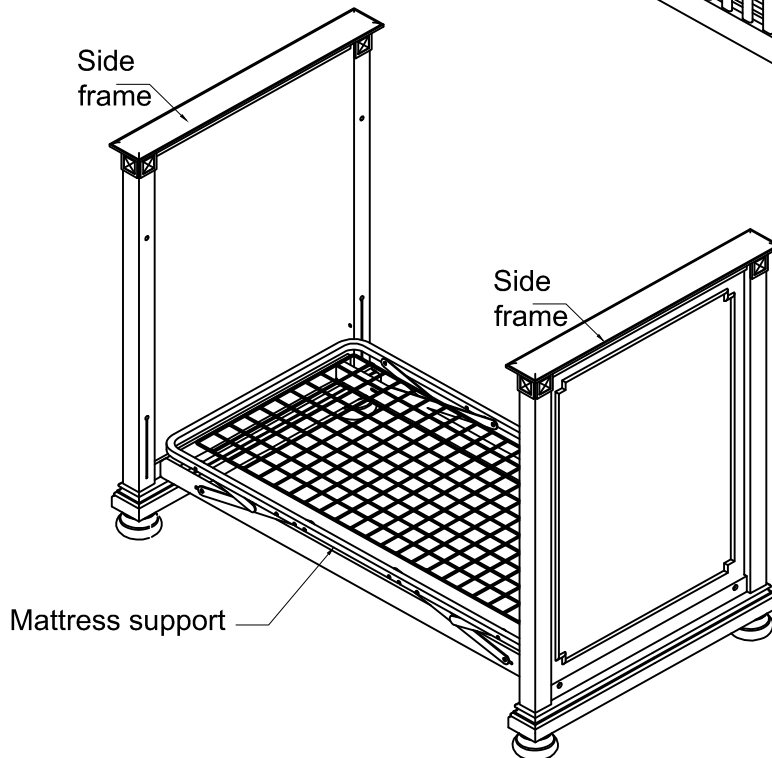
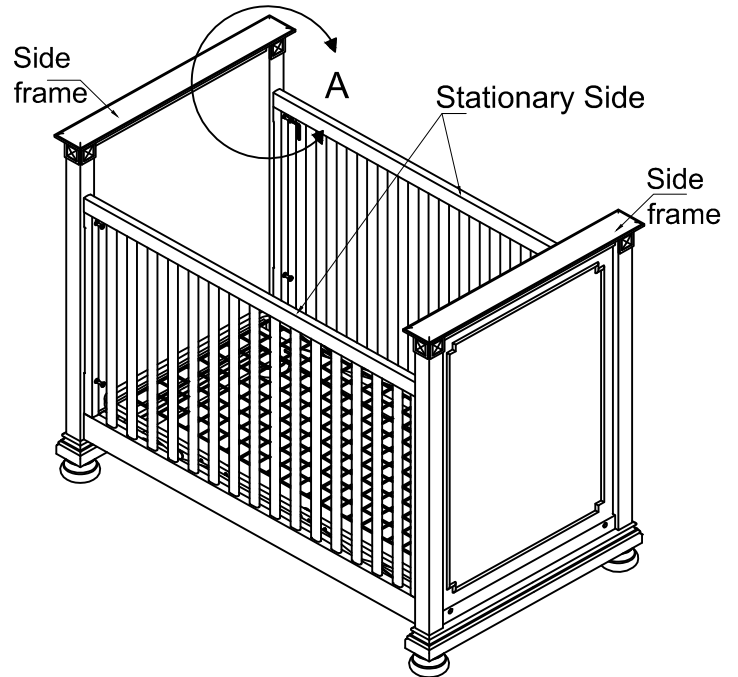
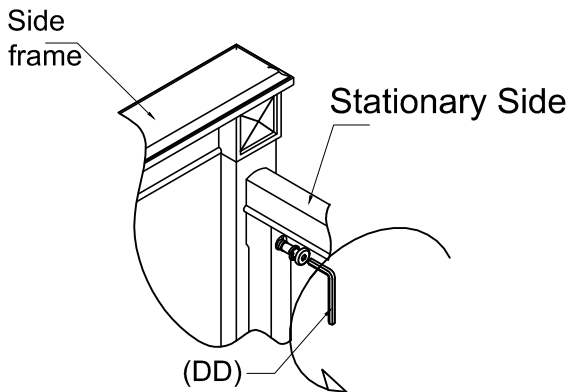
## TODDLER RAIL ASSEMBLY

### Hardware needed for Step #1:

(DD) Allen Wrench (x1 piece)

Loosen all tightened bolts from side frames.  
Spread front of crib open enough to remove  
Stationary Side Rails and to insert toddler rail  
hooks between crib side frames.

### Detail A



### Hardware Step #1

(DD) Allen Wrench (x1 piece)



# STEP #2

## TODDLER RAIL ASSEMBLY, CONTINUED

### Toddler Rail (x2)

If mattress support is not in the lowest position, unscrew mattress support bolts and move it to the lowest position.

Loosen all tightened bolts from side frames. Spread front of crib open enough to remove Stationary sides and to insert toddler rail hooks between crib side frames.

Attach toddler rails to side frames by hooking into provided slots while aligning stretcher bar. Retighten bolts to snug fit.

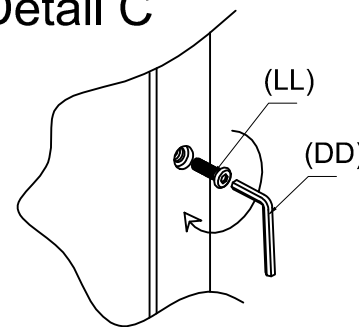
### Hardware needed for Step #2:

(DD) Allen Wrench (x1 piece)

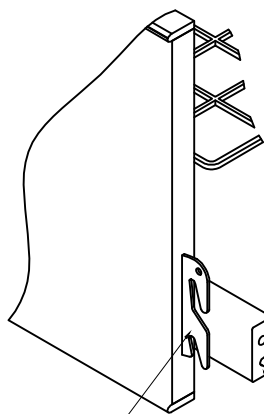
(LL) 19mm. Bolt (x4 pieces)

When converting the crib to toddler bed, the Short Bolt (LL), 4pcs, should be inserted in the upper holes of the side frame and tightened with the Allen Wrench (DD) (see Detail C).

### Detail C

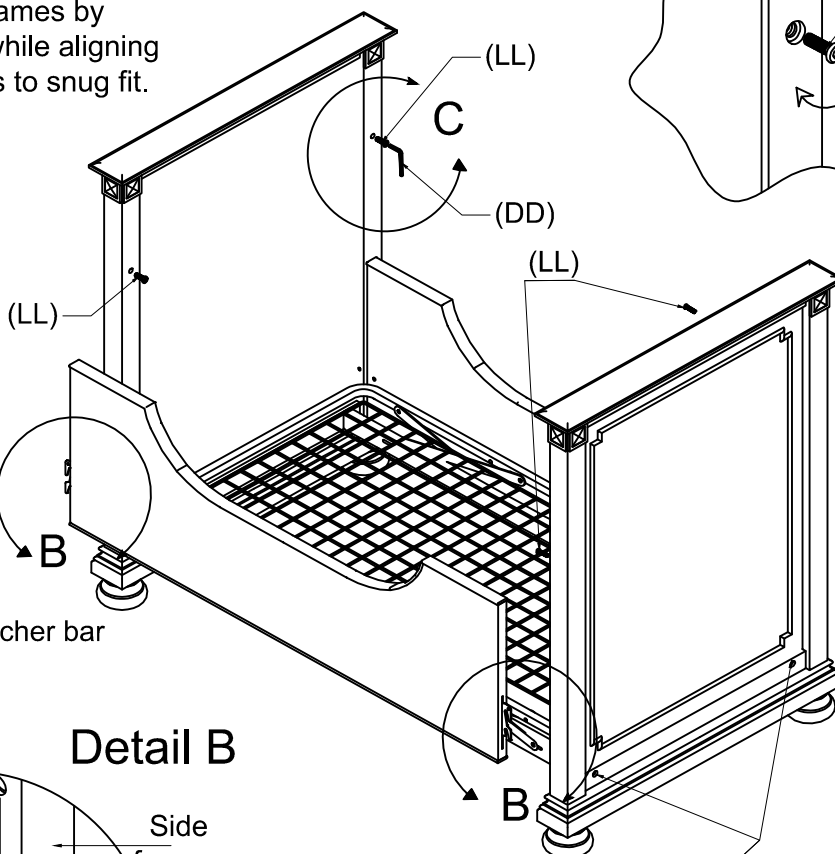


### Detail B



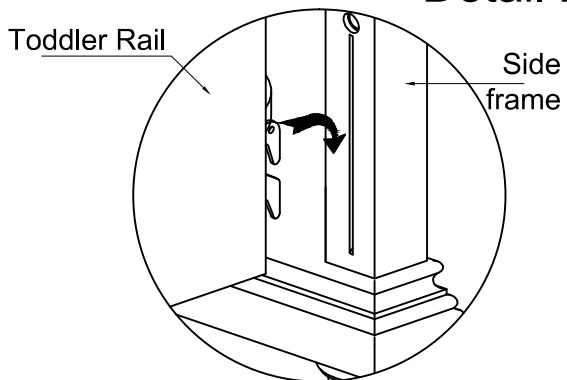
Metal hook on toddler rail

Stretcher bar



Loosen end bolts

### Detail B



If necessary, using a thick magazine or book to protect the side rail, hammer the hook-rail with a mallet or hammer until tight. Repeat the procedure with the other rail. The headboard panel will now stand on it's own with the rails supporting it.

### Hardware Step #2

(DD) Allen Wrench (x1 piece)

(LL) 19mm. Bolts (x4 pieces)

